

# Pinch Valve 7078

## DN 15 up to DN 50

**New generation of pinch valves with revised inner tube for demanding applications or food fluids.**

- Compact design with rotatable actuator
- Unaffected by contaminated, granulated, viscous, doughy and aggressive media
- Usable for sanitary and aseptic applications because of hygienic sealing
- All components in contact with the fluid made of 1.4435
- Operating pressure up to 6 bar



### Technical data

Nominal Sizes	DN 15 up to DN 50
Connections	Pipe threads nach ISO 228-1 G 1/2" up to G 2", NPT-treats Inner sticking socket PVC Welding ends acc. to DIN or ISO Tri-Clamp-connector (inch)
Body material	Stainless steel 1.4408, no contact with the fluid
Material in contact with the fluid	Sainless steel 1.4435 (except cement socket PVC)
Nominal pressure	PN 6
Operating pressure	0 - 6 bar
Media	Liquids, gases, suspensions, granulate or limestone
Fluid Temperature	Tube material NBR (FDA): -20°C up to +80°C (short-duration, steam +130°C*)
	Tube material FKM: -10°C up to +130°C
	Tube material EPDM (FDA): -30°C up to +95°C (short-duration, steam +130°C*)
	Tube material Silikon: -40°C up to +160°C
	Tube material SBR: -30°C up to +80°C
Ambient temperature	-15°C up to +60°C

### Options

- e.g.:
- digital position indicator Typ 2040
  - limit switches
    - inductive proximitiv switch
    - elektrical switches
    - pneumatic switches
  - pilot valves
  - additional manual override
  - silicon free version

\*short-duration rise of temperature only when the valve is fully open

### Normally closed

### Normally open

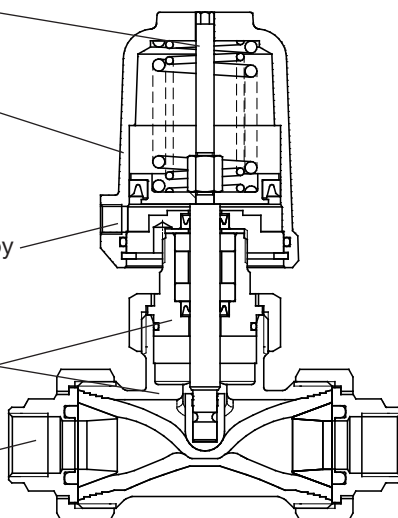
Removable position indicator

Bonnet can be rotated as required

Pressure control (with pilot valve if required) actuation by air, water, mineral oil and other media

Body and head section in stainless steel

Sockets in different materials and designs

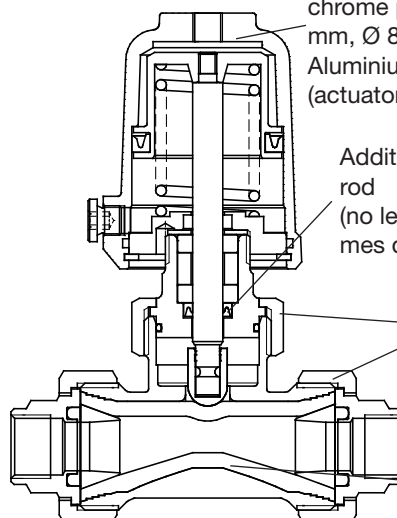


Bonnet material brass, chrome plated (actuator Ø 50 mm, Ø 80 mm)  
Aluminium, corrosion protected (actuator Ø 125 mm)

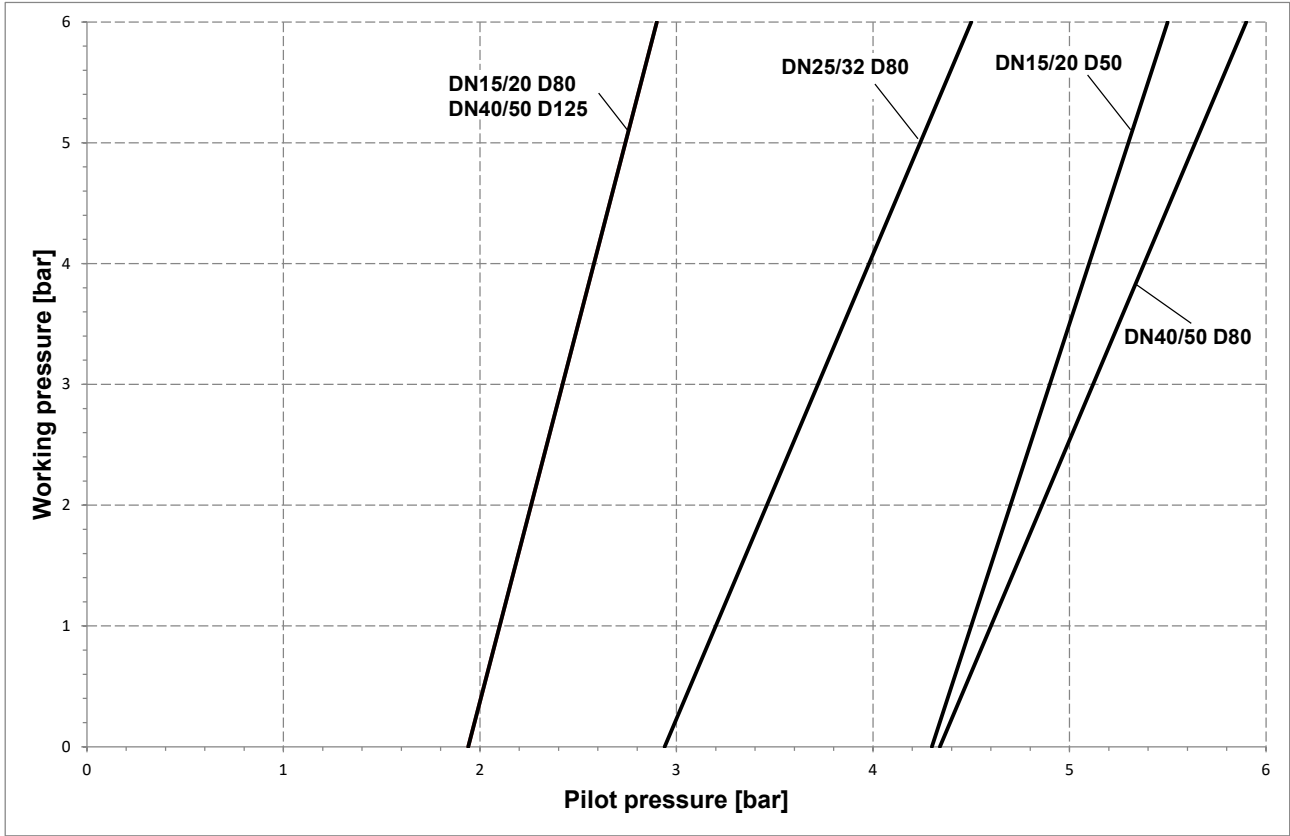
Additional sealing for piston rod (no leakage if tube becomes defective)

Screw caps in brass nickel plated

Tube in EPDM, NBR, VITON



## Pinch valve normally open



## Pinch valve normally closed

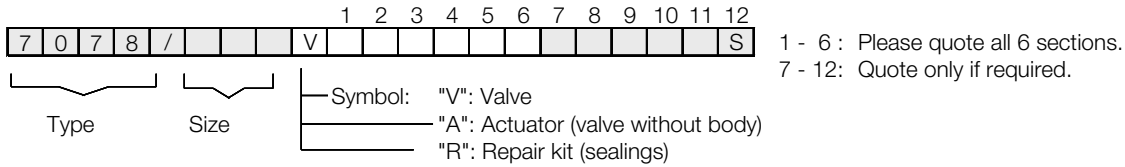
DN	Tube material	Max. working pressure (bar)	Pilot pressure (bar)	Actuator size (mm)	springs	
15 / 20	EPDM	3	4,4 - 10	50	2	
	NBR					
	FKM					
	Silicone					
	SBR					
	EPDM	6	5,6 - 10	50	3	
	NBR					
	FKM					
	SBR					
	25 / 32	EPDM	6	3,5 - 10	80	1
NBR						
FKM						
Silicone						
SBR		6	4,4 - 10	80	2	
EPDM						
NBR						
FKM						
40 / 50	NBR	2	4,4 - 10	80	2	
	FKM					
	Silicone					
	NBR	3	5,6 - 10	80	3	
	FKM					
	Silicone	5	2,2 - 10	125	2	
	EPDM					
	NBR					
	40 / 50	FKM	4	2,2 - 10	125	2
		Silicone				
SBR						
EPDM		5	3,1 - 10	125	3	
NBR						
FKM						
40 / 50	Silicone	6	3,1 - 10	125	3	
	EPDM					
	SBR					

DN	Tube material	Max. working pressure (bar)	Pilot pressure (bar)	Actuator size (mm)	springs	
40 / 50	NBR	2	4,4 - 10	80	2	
	FKM					
	Silicone					
	NBR	3	5,6 - 10	80	3	
	FKM					
	Silicone	5	2,2 - 10	125	2	
	EPDM					
	NBR					
	40 / 50	FKM	4	2,2 - 10	125	2
		Silicone				
SBR						
EPDM		5	3,1 - 10	125	3	
NBR						
FKM						
40 / 50	Silicone	6	3,1 - 10	125	3	
	EPDM					
	SBR					

=Standard

minimum working pressure 0,5 bar

## Ordering Number System



1. Design	2. Connection	3. Connecting parts	4. Tube material	5. Pilot function	6. Actuator
8 Pinch valve	0 Pipe thread acc. DIN 2999 / ISO 228 3 Inner sticking socket 5 NPT-thread D with welding ends acc. DIN I with welding ends acc. ISO Z Tri-Clamp connection (inch)	- no specifications 2 Stainless steel 6 PVC	- without 1 FKM (Viton) 2 EPDM 3 NBR 4 SBR 5 Silicone	- without 0 Spring closes 1 Spring opens 3 Double acting	0 Piston Ø50mm 1 Piston Ø80mm 2 Piston Ø125mm 5 Manually actuated
7. Springs	8.	9.	10. Temperatur version	11. Accessories	12. Special versions
- Standard	- without significance	- without significance	- standard V Viton outer lip sealing (for higher ambient temperatures)	- No accessories 1 Electrical position indicator with one switch 2 Electrical position indicator with two switches 3 Manual emergency operation 4 Additional manual operation 5 Stroke limitation 6 Pilot valve DN 2, 230 V AC 7 Pilot valve DN 2, 24 V DC K Electr. position indicator compact M Position indicator with two ind. switch 10 - 36 V DC (PNP) P Position indicator with one ind. switch 10 - 36 V DC (PNP) T Position indicator compact, inductive 10 - 30 V DC (PNP)	B Digital position indicator 2040, bluetooth C Digital position indicator 2040 M Position indicator with cable bushing N Position indicator with plug connection S Special versions

Ordering example: **7078/025V836201- - - -3**  
Pinch valve, size DN 25, inner sticking socket, PVC, EPDM-tube, N.C., actuator Ø 80 mm, manual emergency override.

## Selection of tube quality

Permissible media temperature

	EPDM	NBR	Viton	Silicon	SBR
T max °C	95	80	130	160	80
T min °C	-30	-20	-10	-40	-30

Resistance\*

	EPDM	NBR	VITON	Silicon	SBR
Wastewater	A	A	A	A	A
Ammonia (liquid)	A	B	C	C	B
Ammonia (gaseous)	A	B	C	C	B
Malic acid	B	A	A	B	B
Brake fluid	A	C	C	C	B
Benzine	C	B	A	C	B
Beer	A	A	A	A	C
Bleach liquor	A	C	A	C	C
Butter	B	A	A	B	C
Buttermilk	B	C	A	A	C
Chlorine	B	C	A	C	C
Saturated steam	A	C	B	B	C
Diesel	C	A	A	C	C
Peanut oil	C	A	A	A	C
Vinegar	A	B	B	A	C
Greases (from animals/plants)	C	A	A	B	C
Fatty acids	C	B	A	B	C
Fish oil	B	A	A	A	C
Fruit juices	A	A	A	A	C
Milk of lime	B	B	B	C	A
Cocoa butter	C	C	A	C	C
Carbonic acid	A	A	A	B	C
Coconut oil	C	A	A	A	C
Air with solid particles	B	B	C	C	A
Corn oil	C	A	A	B	C
Margarine	C	A	A	B	C
Caustic soda	A	B	B	B	C
Nut oil	C	A	A	A	C
Rapeseed oil	A	B	A	C	C
Water with solid particles	B	B	C	C	A
Detergent	A	A	A	A	C
Citric acid	A	A	A	A	C

\*In the case of information on resistance, this is only a recommendation, errors and omissions excepted (no liability accepted)

A: suitable / resistant

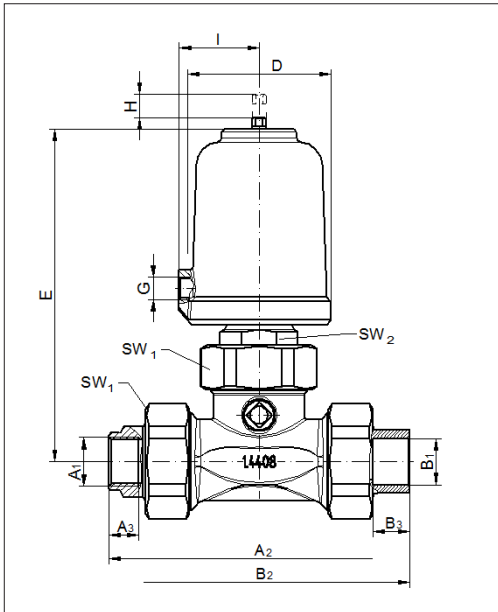
B: conditionally suitable

C: not suitable

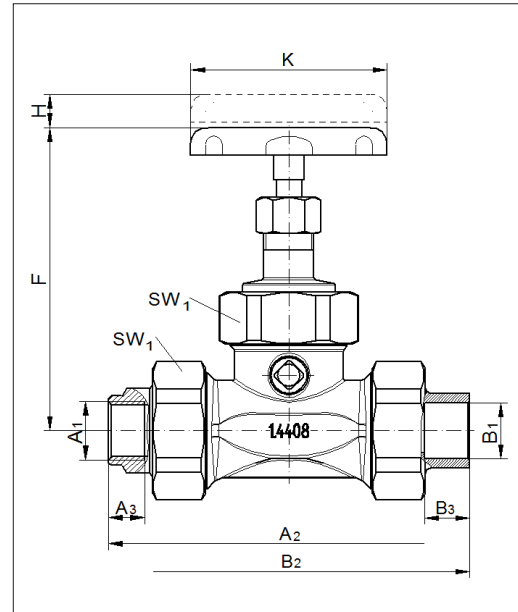
## Approvals

	EPDM	NBR	Viton	Silicon	SBR
FDA	x	x		x	
BfR	x	x		x	
EG 1935/2004/CE	x			x	
USP cl. VI				x	
EN ISO 3861					x

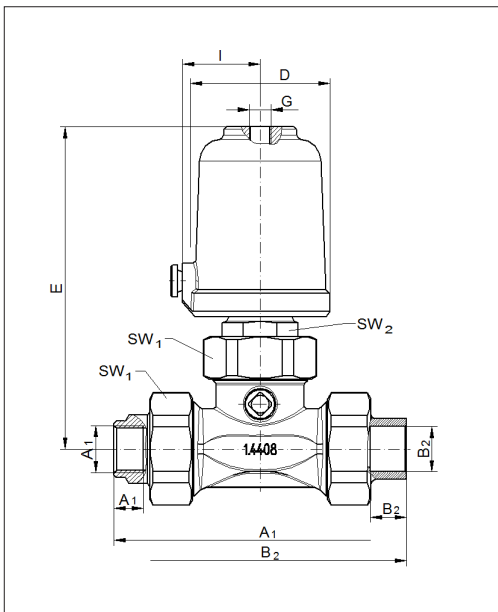
## Dimensions and weights with threaded connection or inner sticking socket



**Normally closed**



**Manually operated**

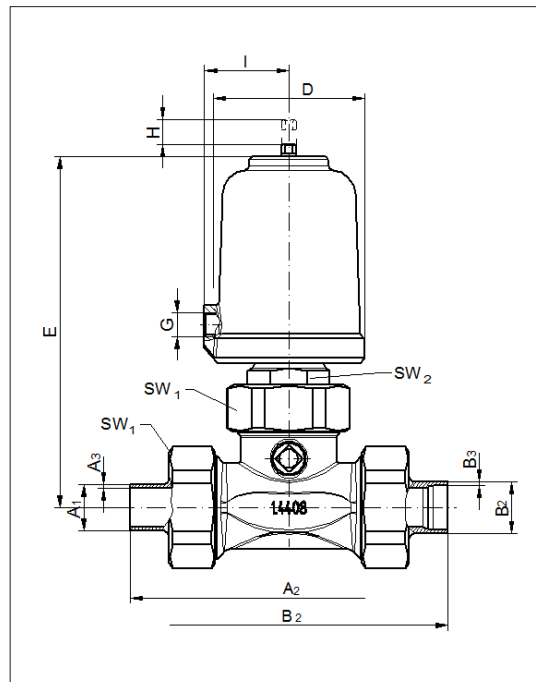


**Normally open**

DN	Piston	Whitworth pipe thread			NPT-thread			Inner sticking socket PVC			D	E	G	I	SW1	SW2	H Stroke	Kvs-Value	Weight kg
		A1	A2	A3	A1	A2	A3	B1	B2	B3									
15	50	Rp 1/2"	130	13	NPT 1/2"	132	15	20	130	16	62	144	G1/8"	35	46	27	16	12,5	1,7
15	80	Rp 1/2"	130	13	NPT 1/2"	132	15	20	130	16	98	183	G1/4"	55	46	27	16		3,7
20	50	Rp 3/4"	132	13	NPT 3/4"	132	15	25	136	19	62	144	G1/8"	35	46	27	16		2
20	80	Rp 3/4"	132	13	NPT 3/4"	132	6	25	136	19	98	183	G1/4"	55	46	27	16		4
25	80	Rp 1"	184	18	NPT 1"	182	18	32	190	22	98	215	G1/4"	55	65	30	22	24	5
32	80	Rp 1 1/4"	190	18	NPT 1 1/4"	194	19	40	200	26	98	215	G1/4"	55	65	30	22		5,3
40	80	Rp 1 1/2"	246	20	NPT 1 1/2"	246	18	50	256	31	98	260	G1/4"	55	88	30	34	84	7,9
40	125	Rp 1 1/2"	246	20	NPT 1 1/2"	246	18	50	256	31	146	285	G1/4"	80	88	30	34		9,6
50	80	Rp 2"	246	22	NPT 2"	246	19	63	272	38	98	260	G1/4"	55	88	30	34		8,2
50	125	Rp 2"	246	22	NPT 2"	246	19	63	272	38	146	285	G1/4"	80	88	30	34		9,9

Dimensions in mm

## Dimensions and weights with welding ends



**Normally closed**

DN	Piston	Welding ends acc. to DIN			Welding ends acc. to ISO			D	E	G	I	SW1	SW2	Stroke	Kvs-value	Weight [kg]
		A1	A2	A3	B1	B2	B3									
15	50	19	130	1,5	21,3	1,6	130	62	144	G1/8"	35	46	27	16	12,5	1,7
15	80	19	130	1,5	21,3	1,6	130	98	183	G1/4"	55	46	27	16		3,7
20	50	23	130	1,5	26,9	1,6	130	62	144	G1/8"	35	46	27	16		2
20	80	23	130	1,5	26,9	1,6	130	98	183	G1/4"	55	46	27	16	4	
25	80	29	190	1,5	33,7	2	190	98	215	G1/4"	55	65	30	22	24	5
32	80	35	190	1,5	42,4	2	190	98	215	G1/4"	55	65	30	22		5,3
40	80	41	250	1,5	48,3	2	250	98	260	G1/4"	55	88	30	34	84	7,9
40	125	41	250	1,5	48,3	2	250	146	285	G1/4"	80	88	30	34		9,6
50	80	53	250	1,5	60,3	2	250	98	260	G1/4"	55	88	30	34		8,2
50	125	53	250	1,5	60,3	2	250	146	285	G1/4"	80	88	30	34		9,9

Dimensions in mm